

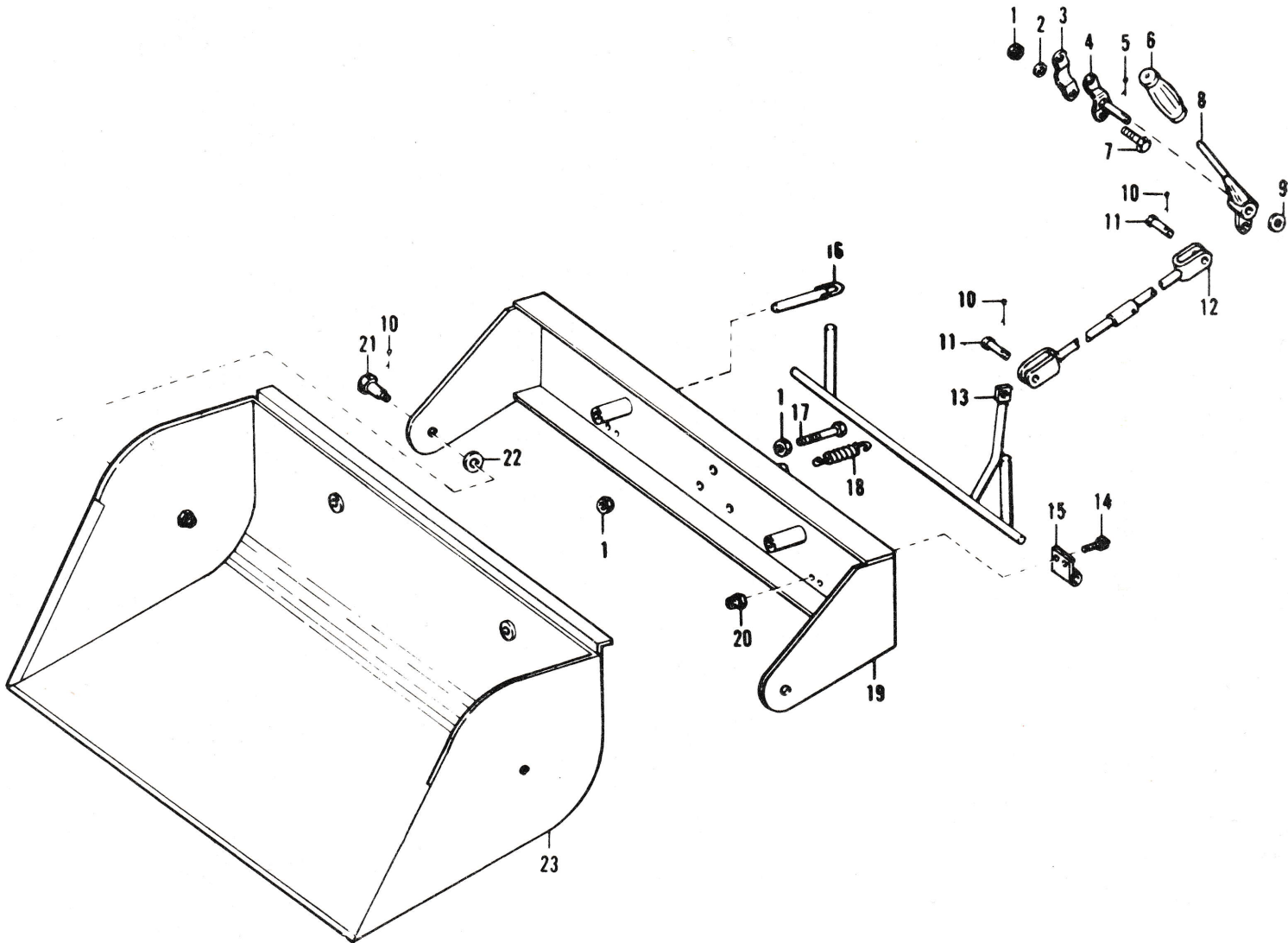


To continue its program of quality and design improvement, the manufacturer reserves the right to change specifications, design or prices without notice and without incurring obligation.

ILLUSTRATED PARTS LIST

UTILITY SCOOP

Model Number 15592E1
Effective Date 6-1-73
Form Number 20201L1



<u>Item No.</u>	<u>Part No.</u>	<u>Description</u>
1	120377	3/8-16 Hex Nut 9/16 x 21/64 Thk
2	138542	3/8 Internal Tooth Lockwasher
3	7408P1	Hand Lever Clamp
4	7409A1	Hand Lever Pivot
5	120123	1/8 x 1-1/4 Cotter Pin
6	5167P1	Handle Grip
7	180124	3/8-16 x 1-1/4 Hex Hd Bolt
8	12683P1	Clutch Hand Lever
9	120396	17/32 x 1-1/16 x .095 Washer
10	121222	3/32 x .75 Cotter Pin
11	431780	3/8 x 7/8 Clevis Pin
12	10306A1	Actuating Rod Assembly
13	7402A1	Actuating Lever
14	180018	1/4-20 x 5/8 Hex Hd Bolt
15	7404A1	Pivot Bracket
16	7403A1	Locking Pin Weldment
17	180132	3/8-16 x 2-1/4 Hex Hd Bolt
18	7405P1	Spring
19	7401A1	Frame Weldment
20	9419454	1/4-20 Washer Insert Locknut
21	7407P1	Pivot Bolt
22	131017	13/16 x 1-15/32 x .134 Flatwasher
23	7400A1	Blade Weldment